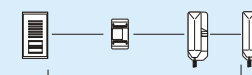
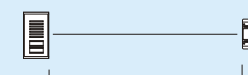


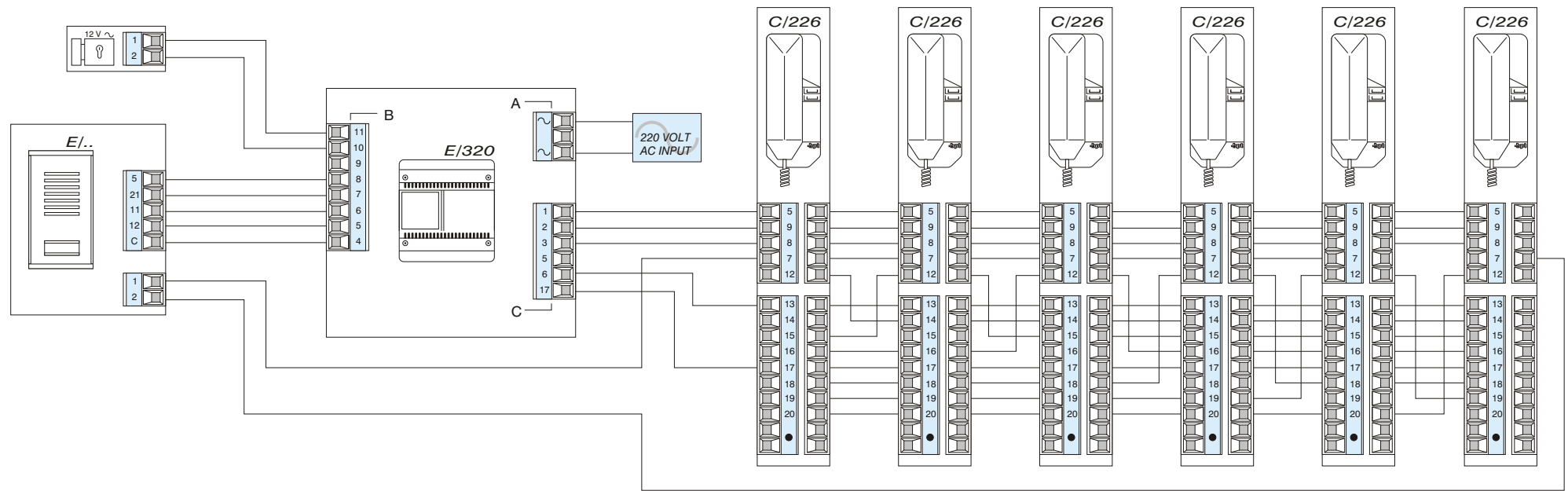
For any diagrams not shown
or special system designs
please contact our office on
(011) 616-3222 or
visit our web site
www.tribpt.co.za



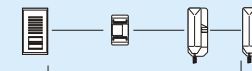
meters	50	mm 2	0.22
	100		0.22
	200		0.50



meters	50	mm 2	0.22
	100		0.50
	200		0.50



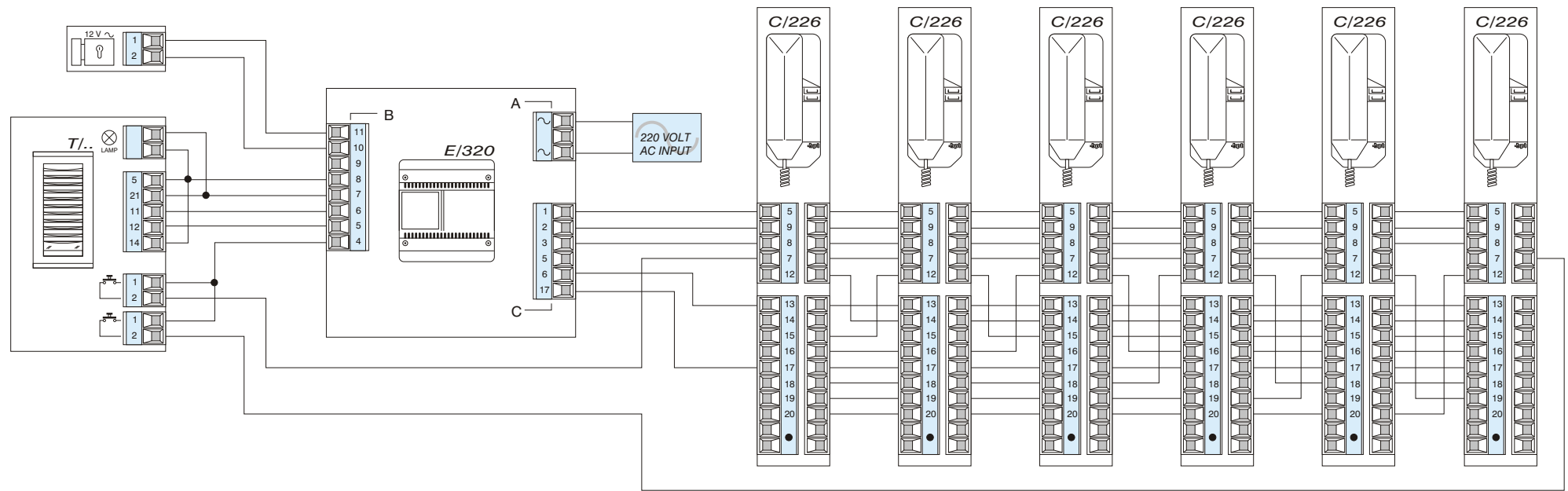
For any diagrams not shown
or special system designs
please contact our office on
(011) 616-3222 or
visit our web site
www.tribpt.co.za



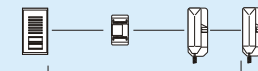
meters	50	mm 2	0.22
	100		0.22
	200		0.50



meters	50	mm 2	0.22
	100		0.50
	200		0.50



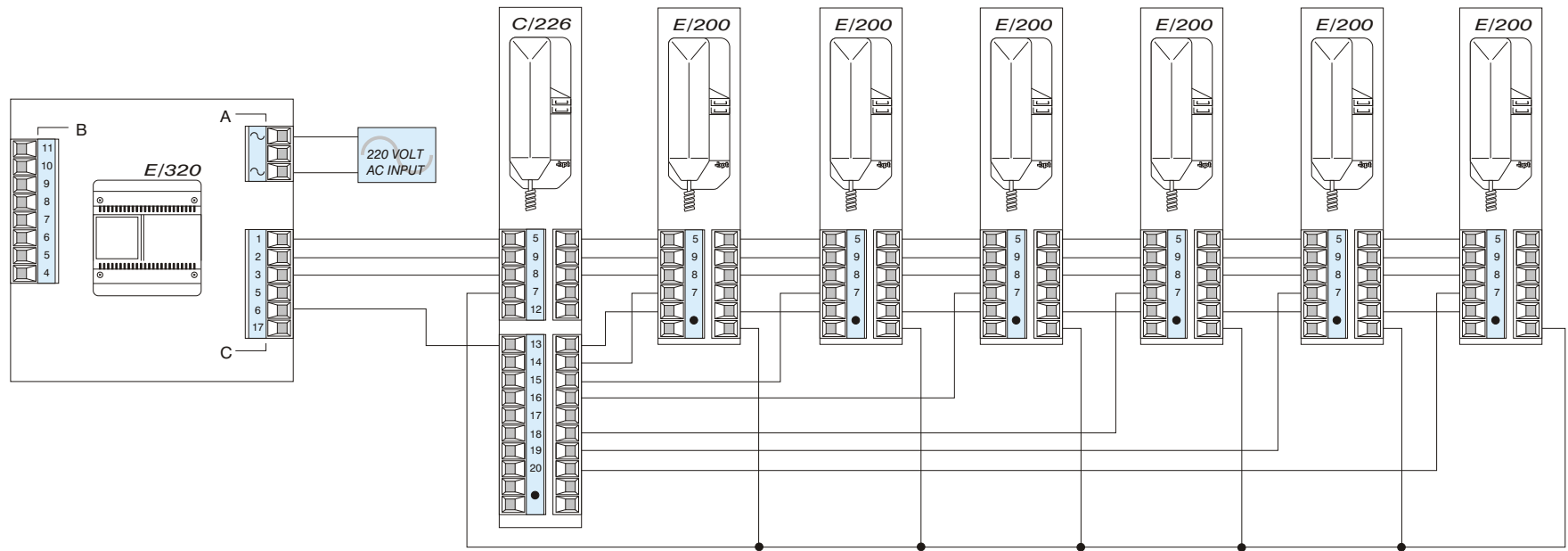
For any diagrams not shown
or special system designs
please contact our office on
(011) 616-3222 or
visit our web site
www.tribpt.co.za



meters	50	mm 2	0.22
	100		0.22
	200		0.50



meters	50	mm 2	0.22
	100		0.50
	200		0.50

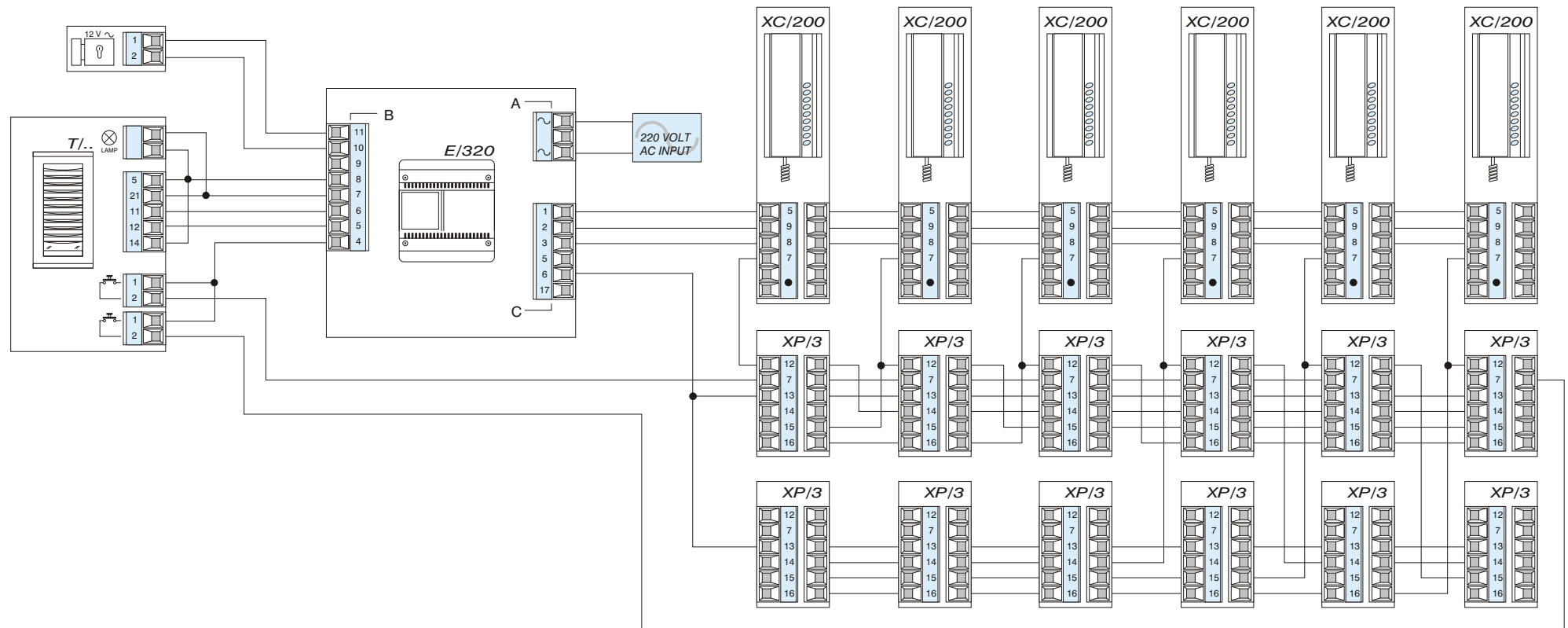


For any diagrams not shown
or special system designs
please contact our office on
(011) 616-3222 or
visit our web site
www.tribpt.co.za



meters	50	0.22
	100	0.22
	200	0.50

meters	50	0.22
	100	0.50
	200	0.50

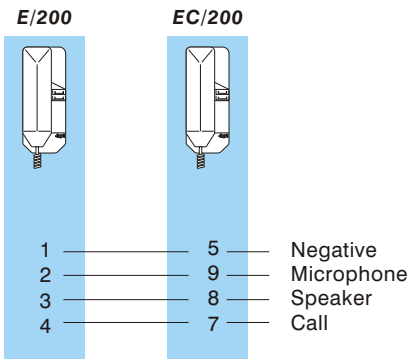
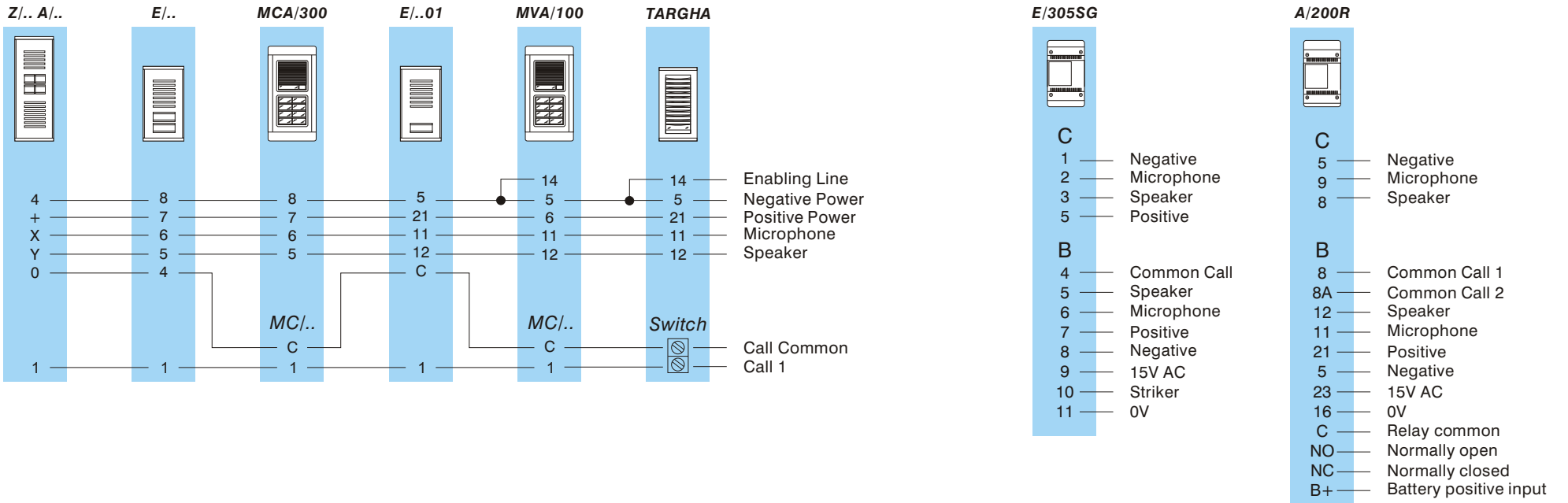


For any diagrams not shown
or special system designs
please contact our office on
(011) 616-3222 or
visit our web site
www.tribpt.co.za



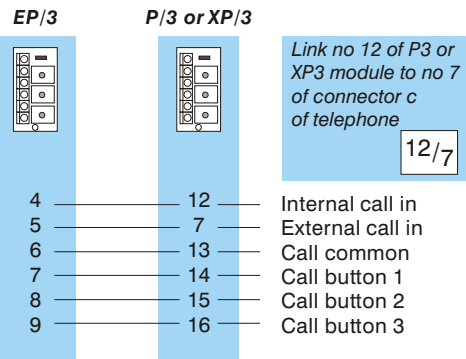
meters	50	mm 2	0.22
	100		0.22
	200		0.50

meters	50	mm 2	0.22
	100		0.50
	200		0.50



Link no 4 of Ep3 module to no 4 of connector c of telephone

4/4



For any diagrams not shown or special system designs please contact our office on (011) 616-3222 or visit our web site www.tribpt.co.za



meters	50	mm 2	0.22
	100		0.22
	200		0.50

meters	50	mm 2	0.22
	100		0.50
	200		0.50